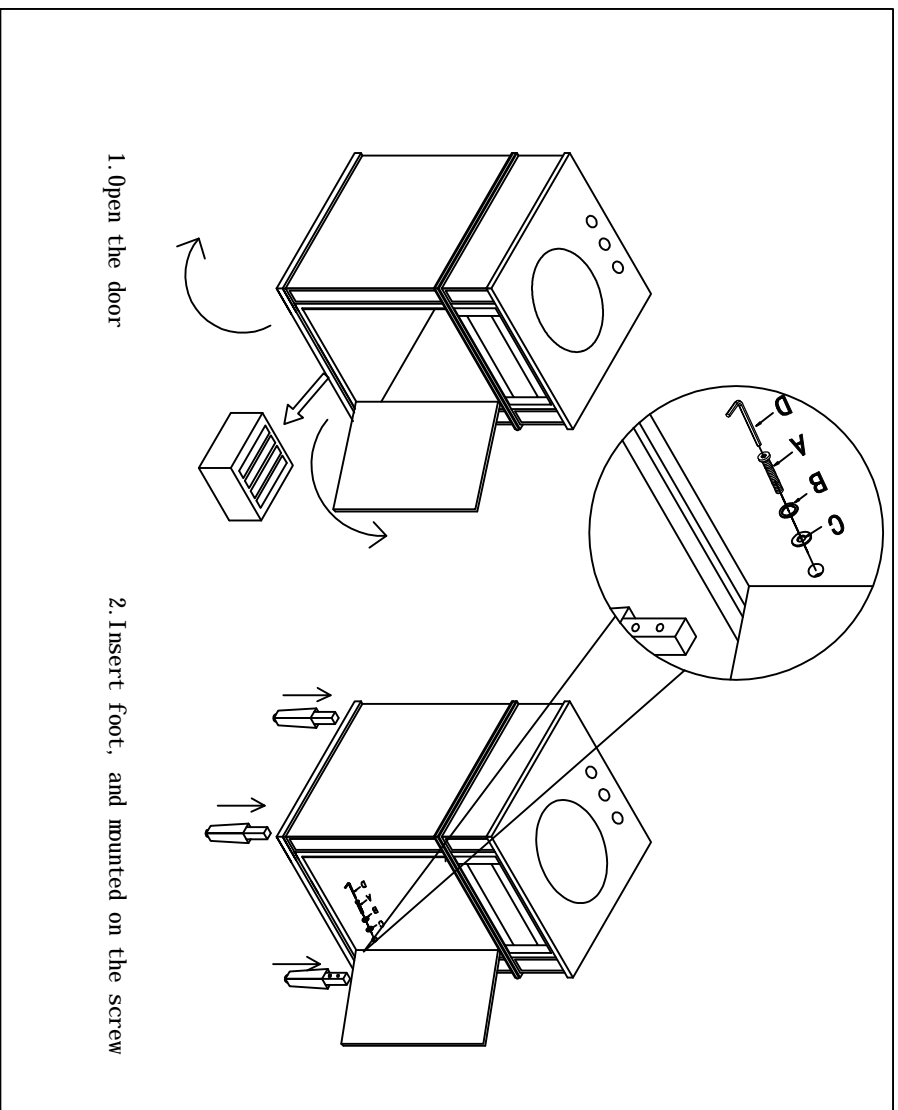





**ASSEMBLY INSTRUCTION**

**ITEM#: VF12518**



**HARDWARE LIST**

No	FIGURE	DESCRIPTION	QUANTITY
A		BIGGER HEX BOLT	8
B		SPRING WASHER	8
C		FLAT WASHER	8
D		ALLEN KEY	1

